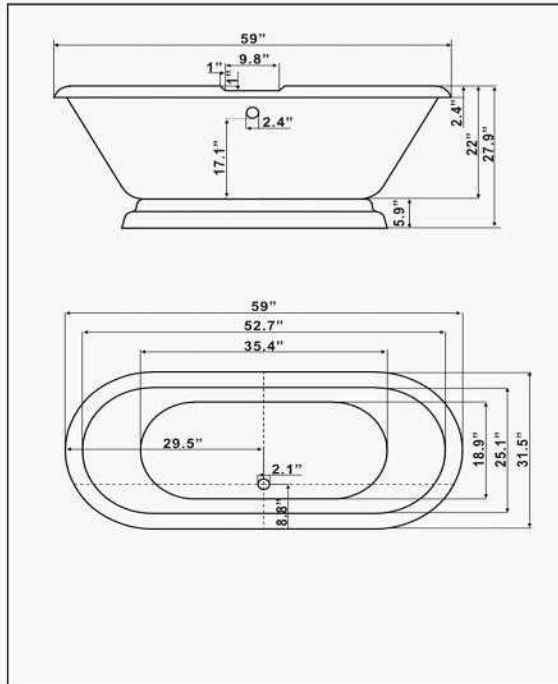


CDBLP59 Double Ended Acrylic Pedestal Tub



Meets or Exceeds ANSI Z124.1.2-2005; CSA B45.0-02 & CSA B45.5-02

For faucet rough-in, please view the specification sheet for the faucet purchased

Flora
TUB & FAUCET

Deck mount
faucet holes
available
upon request
at no extra
charge

Weights

Weight empty	141 lbs
Weight filled to overflow	683 lbs
Gallons to overflow	71

General

Reinforced extra thick floor
Slip resistant floor
High gloss interior and exterior
Integrated aluminum heat barrier
Minimum tub thickness 3/4"

cUPC label on base of tub



MA Code Accepted
Universal Plumbing
Code Listed